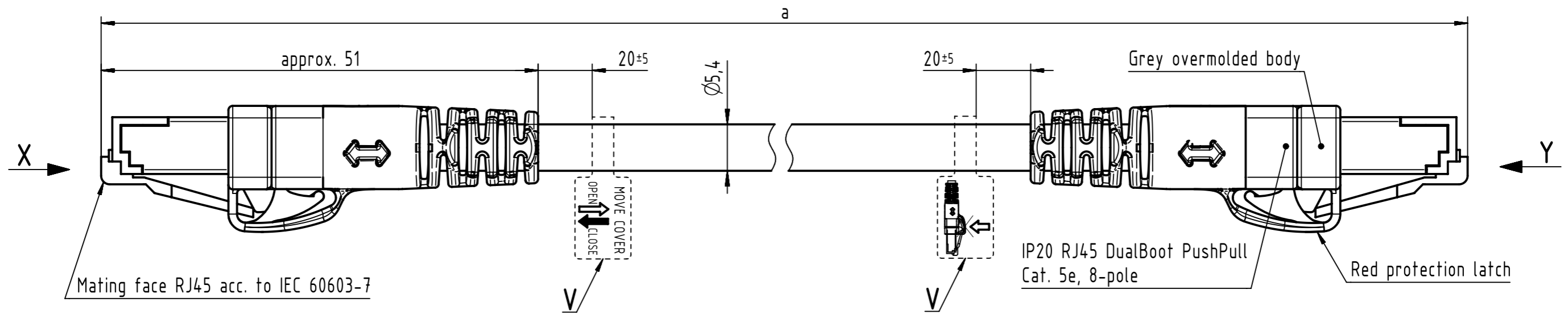
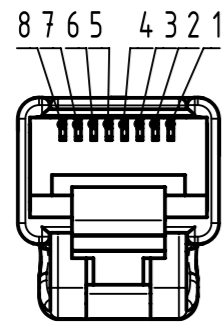


Connector Location A

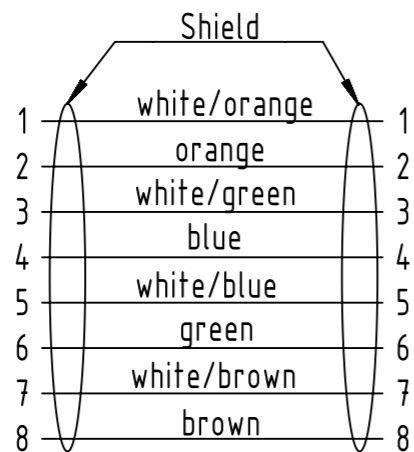
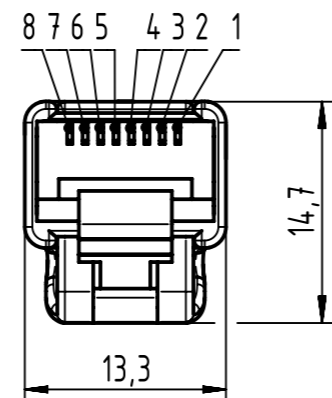
Connector Location B



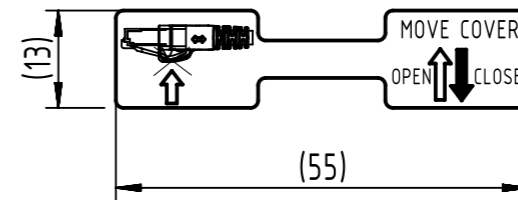
**X**  
male



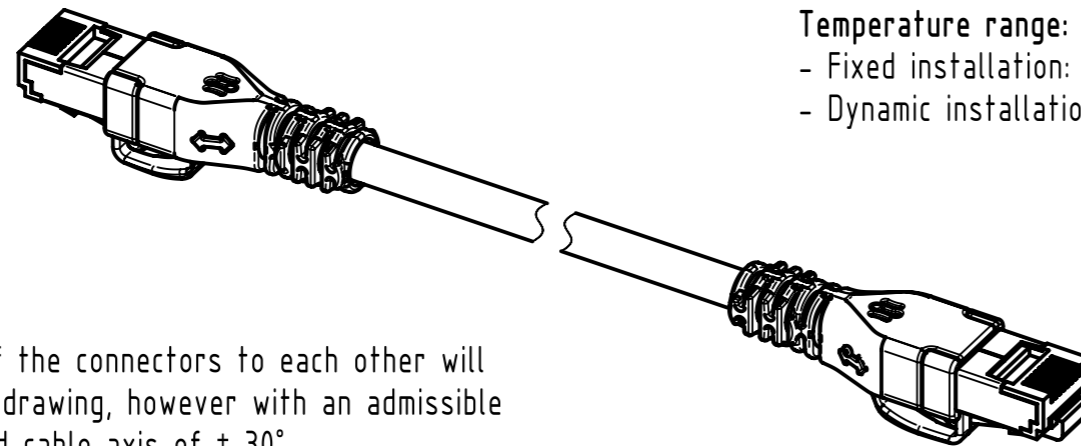
**Y**  
male



**V**  
Label



Temperature range:  
 - Fixed installation: -20°C ... +60°C  
 - Dynamic installation: 0°C ... +50°C



**NOTE:**

- \* For lengths < 1.0m:  
 - relative positioning of the connectors to each other will be as presented in the drawing, however with an admissible angular deviation around cable axis of ± 30°
- \* For lengths ≥ 1.0m:  
 -relative positioning of the connectors to each other not obligatory
- \* Ethernet transmission possible for lengths up to 45m

length in "1m" step	100	XXX=000
	99	XXX=990
length in "0.1m" step	12	XXX=120
	11	XXX=110
	10	XXX=100
	9.9	XXX=099
	9.8	XXX=098
	0.5	XXX=005
	0.4	XXX=004
	0.2	XXX=002
Step	a [m]	XXX

6.0 to 100	±1%
0.6 to 5.9	+0.04
0.2 to 0.5	+0.02
<b>a [m]</b>	<b>Tolerance</b>

Cat.5e FRNC Ethernet Cable, AWG26/7, F/UTP, red	09488989596XXX
<b>Type of cable</b>	<b>Part no.</b>

All Dimensions in mm		Tech. Character.		Free size tol.		According to production drawing	
	All rights reserved	Created by BANIUD Banciu	Inspected by COSTEA Costea	Standardisation MUNTEANV Muntean	Date 2019-04-12	State Final Release	
	Department HCS - RO	Title DualBoot RJ45 PP FRNC Cat.5e red			Doc-Key / ECM-Nr. 100578168/UGD/022/D 500000151689		
HARTING Customised Solutions D-32339 Espelkamp		Type TB	Number 09488989596XXX		Rev. D	Page 1/1	